



Gaither
PROFESSIONAL EQUIPMENT

**REACHING
FOR NEW
HEIGHTS!**



INSTRUCTIONS FOR
GT-20MS

// GAITHERTOOL.COM

GAITHER GT-20MS

Thank you for purchasing a Gaither Tools product. Manufactured to a high standard this product will, if used according to these instructions and properly maintained, give you years of trouble free performance.

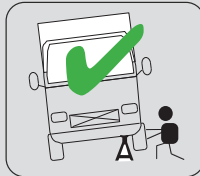
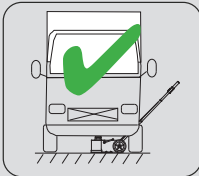
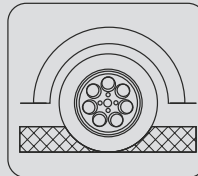


IMPORTANT:

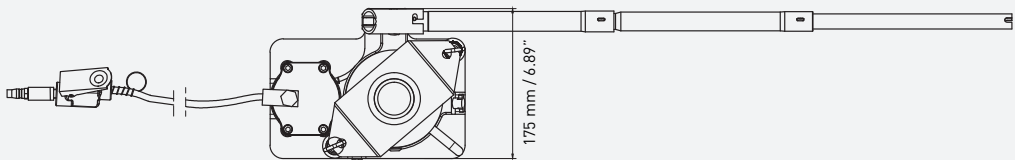
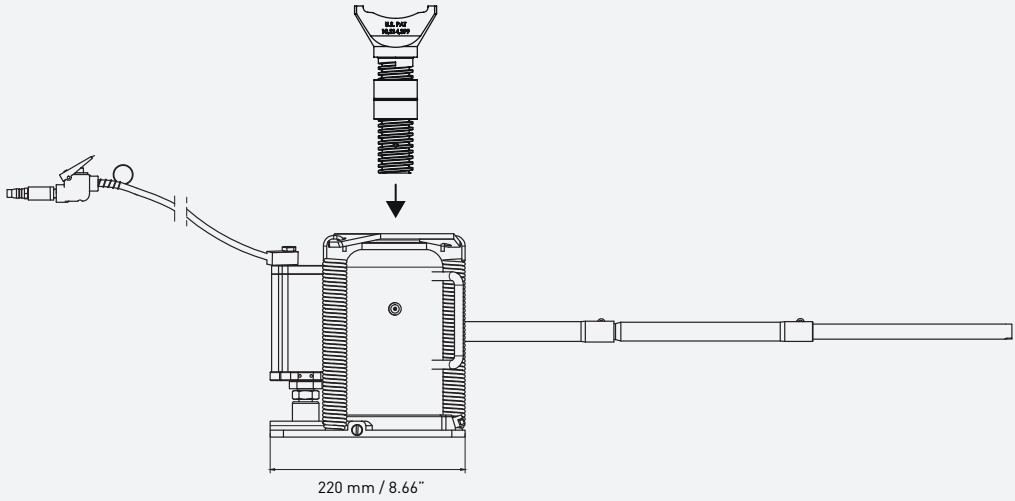
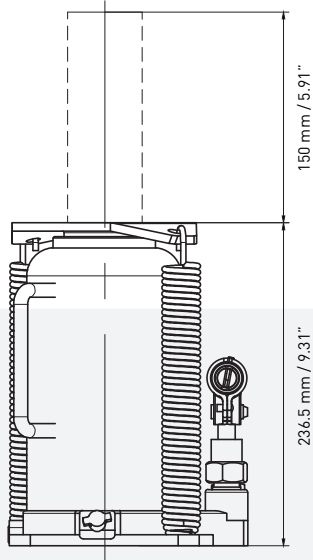
PLEASE READ THESE INSTRUCTIONS CAREFULLY. NOTE THE SAFE OPERATIONAL REQUIREMENTS, WARNINGS AND CAUTIONS. USE THE PRODUCT CORRECTLY AND WITH CARE FOR THE PURPOSE FOR WHICH IT IS INTENDED. FAILURE TO DO SO MAY CAUSE DAMAGE AND/OR PERSONAL INJURY AND WILL INVALIDATE THE WARRANTY. PLEASE KEEP INSTRUCTIONS SAFE FOR FUTURE USE.



WARNINGS

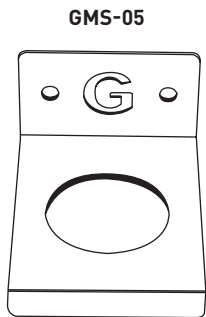
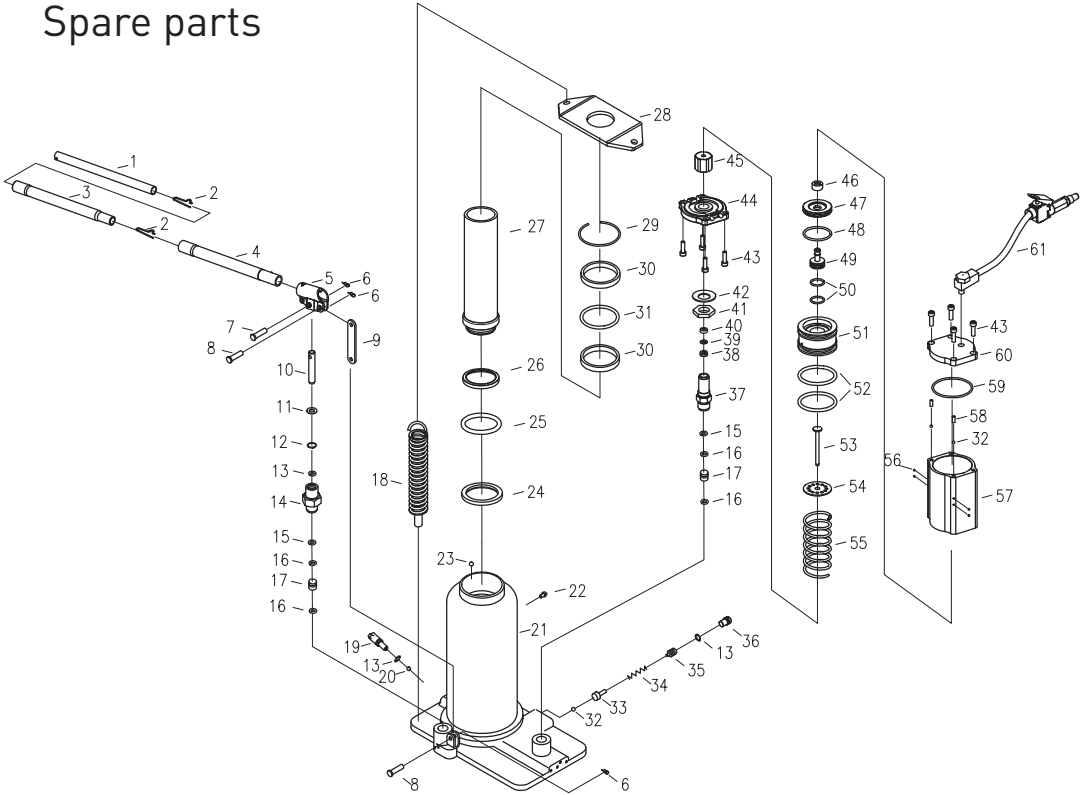


MORE INFO AND INSTRUCTION VIDEOS VISIT GAITHERTOOL.COM



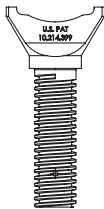
GAITHER GT-20MS

Spare parts

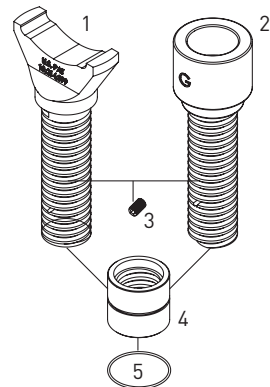


GMS-05

GMSY-01



GMSR-01



ART NR	DESCRIPTION	QTY	ART NR	DESCRIPTION	QTY
GT-20MS-1	REAR HANDLE	1	GT-20MS-32	STEEL BALL	3
GT-20MS-2	PIN	2	GT-20MS-33	STUD	1
GT-20MS-3	MID HANDLE	1	GT-20MS-34	SPRING	1
GT-20MS-4	FRONT HANDLE	1	GT-20MS-35	PRESSURE VALVE	1
GT-20MS-5	HANDLE SOCKET	1	GT-20MS-36	BOLT	1
GT-20MS-6	COTTER PIN	3	GT-20MS-37	PUMP CYLINDER	1
GT-20MS-7	PIN	1	GT-20MS-38	Y-SEAL	1
GT-20MS-8	PIN	2	GT-20MS-39	NYLON GASKET	1
GT-20MS-9	LINK	1	GT-20MS-40	COPPER WASHER	1
GT-20MS-10	PUMP PISTON	1	GT-20MS-41	NUT	1
GT-20MS-11	DUSTPROOF RING	1	GT-20MS-42	SPRING	1
GT-20MS-12	WASHER	1	GT-20MS-43	BOLT	8
GT-20MS-13	O-RING	3	GT-20MS-44	BASE COVER	1
GT-20MS-14	PUMP CYLINDER	1	GT-20MS-45	NUT	1
GT-20MS-15	NYLON GASKET	2	GT-20MS-46	SHUTTLE VALVE SEAL	1
GT-20MS-16	COPPER WASHER	4	GT-20MS-47	COVER	1
GT-20MS-17	VALVE ASSY.	2	GT-20MS-48	O-RING	1
GT-20MS-18	SPRING	2	GT-20MS-49	AIR SHUTTLE VALVE	1
GT-20MS-19	RELEASE VALVE ASSY	1	GT-20MS-50	O-RING	2
GT-20MS-20	STEEL BALL	1	GT-20MS-51	PISTON	1
GT-20MS-21	OIL TANK ASSY	1	GT-20MS-52	O-RING	2
GT-20MS-22	OIL FILLER PLUG	1	GT-20MS-53	AIR PUMP PLUNGER	1
GT-20MS-23	STEEL BALL	1	GT-20MS-54	WASHER	1
GT-20MS-24	PISTON RING	1	GT-20MS-55	SPRING	1
GT-20MS-25	PISTON RING	1	GT-20MS-56	STEEL BALL	4
GT-20MS-26	WASHER	1	GT-20MS-57	AIR PUMP HOUSING	1
GT-20MS-27	RAM ASSY.	1	GT-20MS-58	PLUG	2
GT-20MS-28	SPRING LID	1	GT-20MS-59	O-RING	1
GT-20MS-29	SNAP RING	1	GT-20MS-60	TOP COVER	1
GT-20MS-30	WASHER	2	GT-20MS-61	AIR HOSE ASSEMBLY	1
GT-20MS-31	PISTON RING	1			

ART NR	DESCRIPTION	QTY
GMSY-01	Y ADAPTOR	1
GMSR-01	ROUND ADAPTOR	1
GT-20MSY-3	HEX SOCKET HEAD CAP SCREWS	2
GT-20MSY-4	ROUND NUTS	1
GT-20MSY-5	O-RING 1.5 MM	1
GMS-05	ADAPTOR HOLDER	1
GT-20MS-AM	AIR MOTOR	1
GT-20MS-AMRK	AIR MOTOR REPAIR KIT	1
GT-20MS-PURK	POWER UNIT REPAIR KIT	1

F: DÉCLARATION DE CONFORMITÉ

Nous: Gaither Europe BV
Adresse: Rechtzaad 6
 4703 RC Roosendaal The Netherlands

déclarons sous notre seule responsabilité que les produits auxquels se réfère cette déclaration sont conformes aux dispositions des Directives: 2006/42/EC, EN 1494:2001+A1:2008

NL: VERKLARING VAN OVEREENKOMST

Wij: Gaither Europe BV
Adres: Rechtzaad 6
 4703 RC Roosendaal The Netherlands

verklaren geheel onder eigen verantwoordelijkheid dat de volgende producten, waarop deze verklaring betrekking heeft, in overeenstemming zijn met de bepalingen van Richtlijn: 2006/42/EC, EN 1494:2001+A1:2008

I: DICHIARAZIONE DI CONFORMITÀ

Noi: Gaither Europe BV
Indirizzo: Rechtzaad 6
 4703 RC Roosendaal The Netherlands

dichiariamo sotto la nostra esclusiva responsabilità che i prodotti ai quali questa dichiarazione si riferisce sono conformi a quanto previsto dalle direttive: 2006/42/EC, EN 1494:2001+A1:2008

E: DECLARACIÓN DE CONFORMIDAD

Nosotros: Gaither Europe BV
Dirección: Rechtzaad 6
 4703 RC Roosendaal The Netherlands

declaramos bajo nuestra exclusiva responsabilidad la conformidad de los productos a los que refiere esta declaración, con las disposiciones de Directiva: 2006/42/EC, EN 1494:2001+A1:2008

P: DECLARAÇÃO DE CONFORMIDADE

Nós: Gaither Europe BV
Endereço: Rechtzaad 6
 4703 RC Roosendaal The Netherlands

declaramos, sob nossa única responsabilidade, que os seguintes produtos, incluídos nesta declaração estão em conformidade com o disposto na Directiva: 2006/42/EC, EN 1494:2001+A1:2008

SE: FÖRSÄKRAN OM ÖVERENSSTÄMMEELSE

Vi: Gaither Europe BV
Adress: Rechtzaad 6
 4703 RC Roosendaal The Netherlands

försäkrar under eget ansvar att följande produkter som omfattas av denna försäkran är i överensstämmelse med villkoren i direktiv: 2006/42/EC, EN 1494:2001+A1:2008

N: ERKLÆRING OM OVERENSSTEMMELSE

Vi: Gaither Europe BV
Adresse: Rechtzaad 6
 4703 RC Roosendaal The Netherlands

erklærer på eget ansvar, at følgende produkter som dekkes av denne erklæringen, er i overensstemmelse med bestemmelsene i Direktiv: 2006/42/EC, EN 1494:2001+A1:2008

DK: ÖVERENSSTEMMELSESERKLÆRING

Vi: Gaither Europe BV
Adresse: Rechtzaad 6
 4703 RC Roosendaal The Netherlands

erklærer på eget ansvar et følgende produkter som er omfattet af denne erklæring, er i overensstemmelse med bestemmelserne i Direktiv: 2006/42/EC, EN 1494:2001+A1:2008

Fin: ÖVERENSSTEMMELSESERKLÆRING

Me: Gaither Europe BV
Osoite: Rechtzaad 6
 4703 RC Roosendaal The Netherlands

vakuutamme yksinomaan omalia vastuullamme, että seuraavat tuotteet, joihin tämä vakuutus liittyy, ovat seuraavien direktiivien vaatimusten mukaisia: 2006/42/EC, EN 1494:2001+A1:2008

GB: DECLARATION OF CONFORMITY

We: Gaither Europe BV
Address: Rechtzaad 6
 4703 RC Roosendaal The Netherlands

declare under our sole responsibility that the following products to which this declaration relates conform with the provisions of Directives: 2006/42/EC, EN 1494:2001+A1:2008

D: KONFORMITÄTSERKLÄRUNG

Wir: Gaither Europe BV
Anschrift: Rechtzaad 6
 4703 RC Roosendaal The Netherlands

erklären auf eigene Verantwortung, daß folgende Produkte, auf die sich diese Erklärung bezieht, mit den Bedingungen der Direktiven: 2006/42/EC, EN 1494:2001+A1:2008



Typ.yyyppi.type.type.Type.Type.type.tipo.type.tipo: GT-20MS



Ralph Dubbeldam
 Managing Director
 Gaither Europe BV, 2016-06-15
 Roosendaal The Netherlands

GAITHER NOTES



A series of horizontal dotted lines spanning the width of the page, intended for handwritten notes.

ABOUT US

Gaither Tool Company, Inc. founded in 1988, is an international organization committed to serving the tire and trucking industry. It invents and manufactures convenient tools and systems needed to service and maintain tires and wheel assemblies.

Gaither Tool Company, Inc. continually invests in research and development to bring to its customers the most effective tools in the business. It strives to improve efficiency and reduce costs for customers all over the world working in truck maintenance shops as well as on-the-road tire service providers. Bandag, Euromaster/Michelin, Bridgestone's First Stop, The United States Armed Forces... just to name a few.

Gaither supplies products to customers in over 100 countries, selling through exclusive and nonexclusive distributors. Gaither Tool Company, Inc. is headquartered in Jacksonville, Illinois, U.S.A. In 1997 it opened a branch office located in Roosendaal, Holland to better serve the European market. In 1999 that office was incorporated in Holland and Gaither Europe BV was started. Gaither's manufacturing plant and warehousing for International distribution is located in Taichung, Taiwan.

With a strategically placed location in both The United States and The Netherlands, we are able to serve the global industry



CONTACT US

gaithertool.com

GAITHER TOOL COMPANY, INC

2255 West Morton Ave.
Jacksonville, Illinois 62650 USA

t 217.245.0545 | 800.452.5010
f 217.245.0940
e sales@gaithertool.com

GAITHER EUROPE BV THE NETHERLANDS

Rechtzaad 6
4703 RC Roosendaal (Holland)

t +31 (0) 165 554475
f +31 (0) 165 391819
e evd@gaithereurope.com



CHANGING THE WAY THE WORLD SERVICES YOUR TIRES